

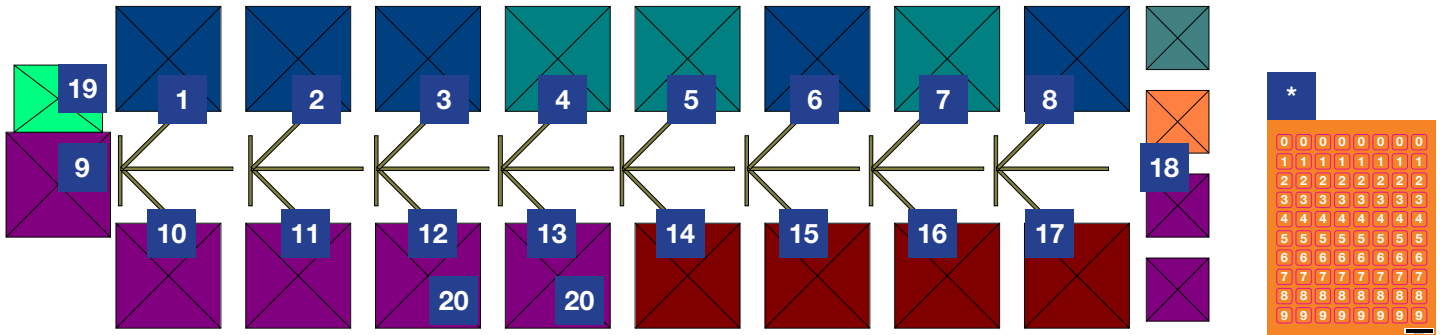


PROTOTYPICAL

Planogram: BBQ Grills Bay Name: 32ft (Part 1 of 3)

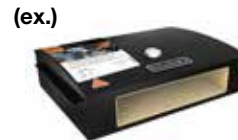
EFFECTIVE:
Jan 12, 2015

PAGE:
1 of 7



Instructions:

- [Fishbone Sign] Remove old signs from the Fishbone and insert new signs
- [4-in-1 Sign] Attach the 4-in-1 Sign to the post on the Fishbone
- [Pizza Oven Sign] Apply sign to top of the pizza oven display
- [Paddle sign] Apply paddle sign to Weber Spirit BBQs. Wrap arm around BBQ handle from back to front. Fold in tabs on arm and insert through slit on front. Unfold tabs to secure arm into sign
- [EZ Find Numbers] Apply EZ Find Numbers stickers to wayfinding area on Fishbones signs





PROTOTYPICAL

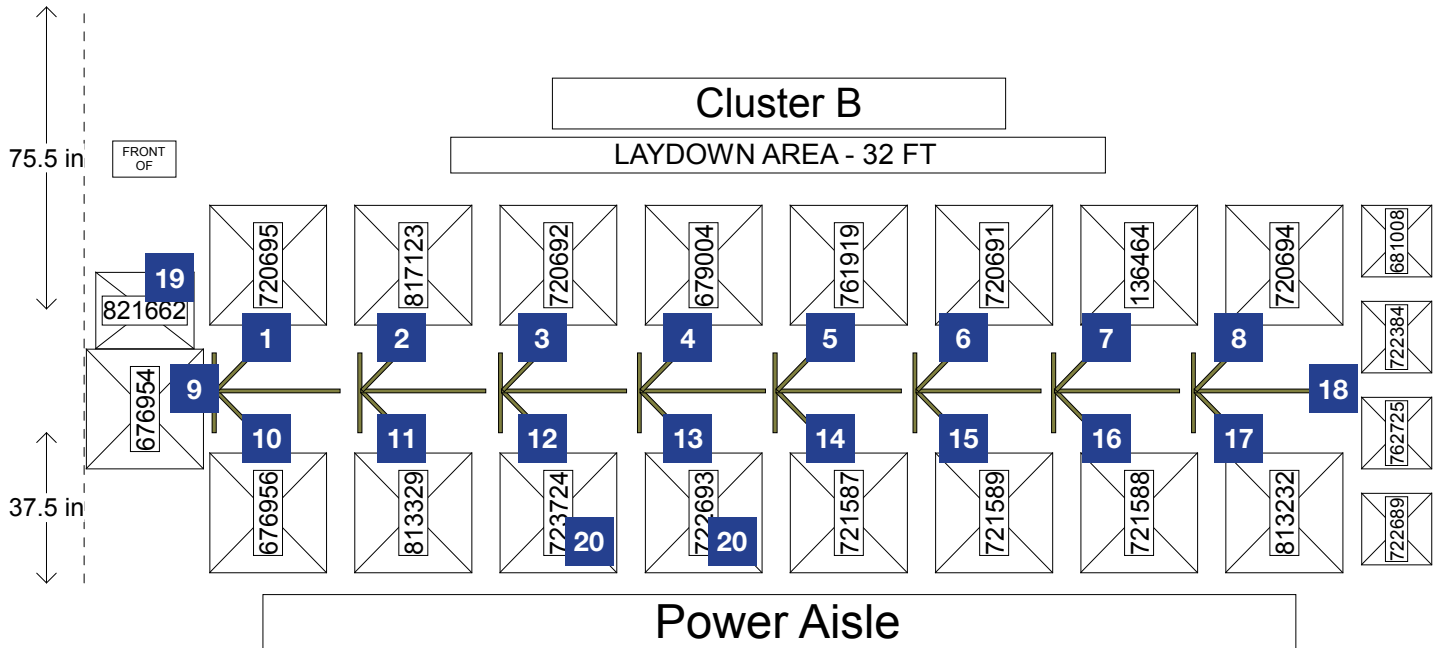
Planogram: BBQ Grills Bay Name: 32ft (Part 1 of 3)

EFFECTIVE:

Jan 12, 2015

PAGE:

2 of 7



In Bay Signage Requirements

Item #	Part #	Description	Quantity	HD Article #	Hardware Requirements	How to Order
1	D28118C-02	Brinkmann Elite 5-Burner BBQ with Smoker	1	1000720695	-	ePOP
2	D28118C-05	Brinkmann Elite 5-Burner BBQ with Sear and Rotisserie Burners	1	1000817123	-	ePOP
3	D28118C-04	Brinkmann Elite Dual Sear BBQ with Side Burner	1	1000720692	-	ePOP
4	D28118C-08	Broil-mate 4-Burner BBQ	1	1000679004	-	ePOP
5	D28118C-07	Broil-mate Cast Aluminum BBQ	1	1000761919	-	ePOP
6	D28118C-03	Brinkmann 5-Burner BBQ with Side Burner	1	1000720691	-	ePOP
7	D28118C-06	Broil-mate Cast Aluminum BBQ	1	1000136464	-	ePOP
8	D28118C-01	Brinkmann 3-Burner BBQ with Side Burner	1	1000720694	-	ePOP
9	D28118C-12	Weber Genesis S-330 BBQ	1	1000676954	-	ePOP
10	D28118C-11	Weber Genesis E-320 BBQ	1	1000676956	-	ePOP
11	D28118C-20	Weber Genesis E-310 Propane BBQ	1	1000813329	-	ePOP
12	D28118C-10	Weber Spirit E-310 Classic BBQ	1	1000723724	-	ePOP
13	D28118C-09	Weber Spirit E-210 Classic Propane BBQ	1	1000722693	-	ePOP
14	D28118C-17	Kitchen Aid 5-Burner BBQ with Side Burner	1	1000721587	-	ePOP
15	D28118C-16	Kitchen Aid 4-Burner BBQ with Side Burner	1	1000721589	-	ePOP
16	D28118C-15	Kitchen Aid 3-Burner BBQ with Side Burner	1	1000721588	-	ePOP
17	D28118C-18	Kitchen Aid Red Patio Grill	1	1000813232	-	ePOP
18	D28118C-21	4-in-1 (Back of Fishbone) Sign	1	1000722384/ 1000762725/ 1000722689/ 1000681008	-	ePOP
19	D28118C-22	Bakerstone Pizza Oven Sign	1	1000821662	-	ePOP
20	D28061C-42	Weber Spirit Accessories Paddle Sign	2	-	-	ePOP
*	EZ Find-0-9	EZ Find Numbers 0-9 (ORANGE)	1	-	-	ePOP

Merchandising POG shown is for POP reference only and is not to be used to set product. Refer to your store specific Merchandise POG for product placement.



PROTOTYPICAL

Planogram: BBQ Grills Bay Name: 32ft (Part 2 of 3)

EFFECTIVE:
Jan 12, 2015

PAGE:
3 of 7



21



22



23



24



25



26



Instructions:

- [Policy Fishbone Topper Signs] Insert Fishbone Topper Signs into top of the fishbone spine. Ensure to alternate signs to avoid identical messages from appearing beside each other
- [Fishbone Backer Signs] Insert Fishbone Backer Signs under the Fishbone Topper Signs using Gripper



PROTOTYPICAL

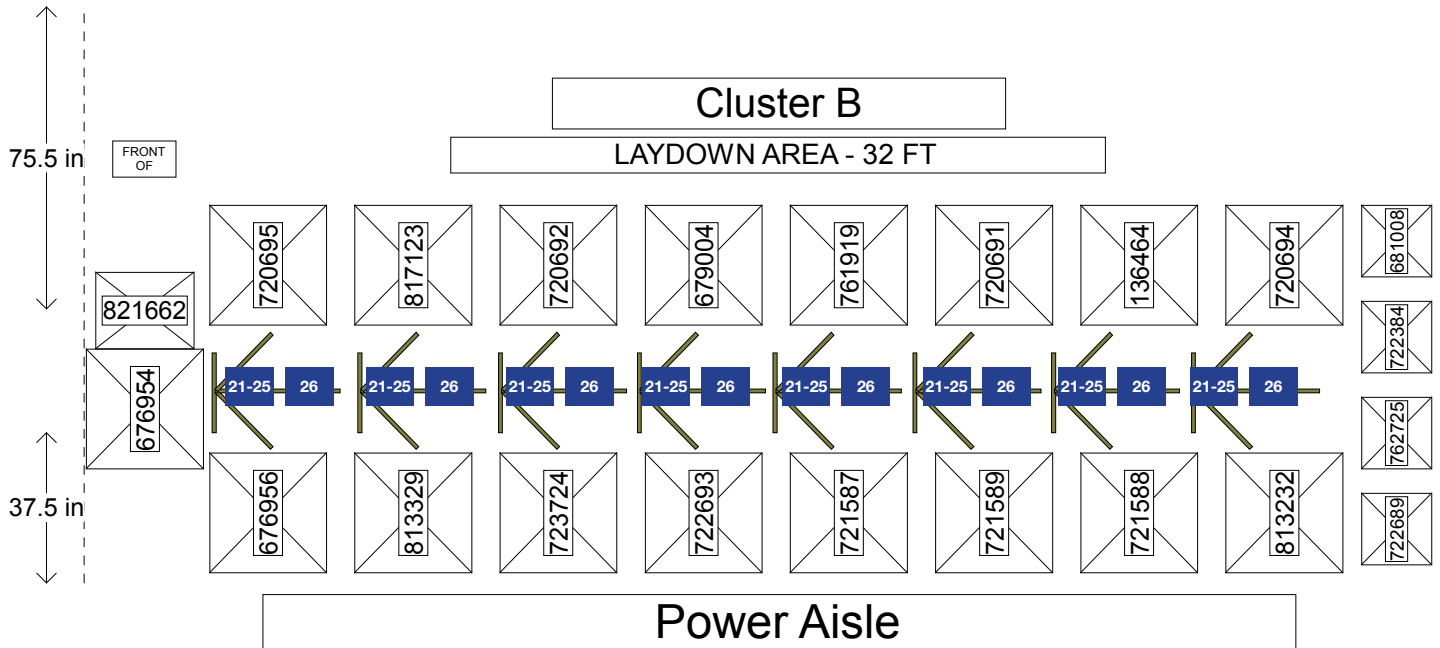
Planogram: BBQ Grills Bay Name: 32ft (Part 2 of 3)

EFFECTIVE:

Jan 12, 2015

PAGE:

4 of 7



In Bay Signage Requirements

Item #	Part #	Description	Quantity	HD Article #	Hardware Requirements	How to Order
21	FISHBONE8X46-1	Find More Fishbone Topper	1	-	Gripper	ePOP
22	FISHBONE8X46-5	Free Assembly Fishbone Topper	1	-	Gripper	ePOP
23	FISHBONE8X46-6	BBQ Selector Fishbone Topper	1	-	Gripper	ePOP
24	FISHBONE8X46-3	Great Brands Great Prices Fishbone Topper	1	-	Gripper	ePOP
25	FISHBONE.3N	Take It Home Today Fishbone Topper	1	-	Gripper	ePOP
26	25882C	Fishbone Backer Sign	1	-	Gripper	ePOP
	FISHGRIP	Fishbone Sign Gripper (KT/10)	Varies	-	-	ePOP



PROTOTYPICAL

Planogram: BBQ Grills Bay Name: 32ft (Part 3 of 3)

EFFECTIVE:
Jan 12, 2015

PAGE:
5 of 7



Podium to be placed near the front of the fishbone and BBQs



Instructions:

- [Podium Header] Attach podium header using Christmas tree clips
- [Podium Wrap] Fold sign along scores and wrap sign around podium base and secure by attaching edge of sign to flap with double sided tape
- [Podium Pages] Insert podium pages into the podium



PROTOTYPICAL

**Planogram: BBQ Grills
Bay Name: 32ft (Part 3 of 3)**

EFFECTIVE:
Jan 12, 2015

PAGE:
6 of 7

In Bay Signage Requirements

Item #	Part #	Description	Quantity	HD Article #	Hardware Requirements	How to Order
28	D28118C-39	BBQ Podium Header	2	-	Christmas Tree Clips	ePOP
29	D28118C-40	BBQ Podium Base Wrap	1	-	-	ePOP
30	D28118C-23	Summit S420/Summit S460 Propane BBQ	1	1000728365/ 1000705861	-	ePOP
31	D28118C-24	Summit S470/Summit S620 Propane BBQ	1	1000689149/ 1000514251	-	ePOP
32	D28118C-25	Summit S660/Summit S670 Propane BBQ	1	1000705859/ 1000689151	-	ePOP
33	D28118C-26	Cast Aluminum/Genesis S310 Natural Gas BBQ	1	1000763751/ 1000728364	-	ePOP
34	D28118C-27	Spirit E310/Summit S420 Natural Gas BBQ	1	1000773236/ 1000728369	-	ePOP
35	D28118C-28	Summit S460/Summit S470 Natural Gas BBQ	1	1000705860/ 1000689153	-	ePOP
36	D28118C-29	Mirage™/Rodeo PRO Cart Charcoal BBQ	1	1000720082/ 1000720083	-	ePOP
37	D28118C-30	Kettle/Rodeo PRO Kettle Charcoal BBQ	1	1000720084/ 1000722384	-	ePOP
38	D28118C-31	18" Original Kettle™ Charcoal BBQ/Ranch Kettle Charcoal Grill	1	1000689166/ 1000689162	-	ePOP
39	D28118C-32	Smokey Joe Silver Charcoal Grill/Portable Wood-Burning BBQ	1	1000755791/ 1000737827	-	ePOP
40	D28118C-33	Gourmet BBQ/Forno 5 Outdoor Pizza Oven	1	1000797551/ 1000791931	-	ePOP
41	D28118C-34	Digital Smoker 4 Rack Auto/Offset Charcoal Vertical Smoker	1	1000763938/ 1000788163	-	ePOP
42	D28118C-35	Smokey Mountain Cooker/Smokey Mountain Smoker	1	1000689256/ 1000762041	-	ePOP
43	D28118C-36	Apollo® 3-in-1 Smoker/Q 2400 Outdoor Electric Grill	1	1000720086/ 1000800636	-	ePOP
	GA1035C	Christmas Tree Clips	8	-	-	ePOP
	GA008C	Double-Sided Tape - 216'	1	-	-	ePOP



PROTOTYPICAL

Planogram: BBQ Grills Bay Name: 32ft

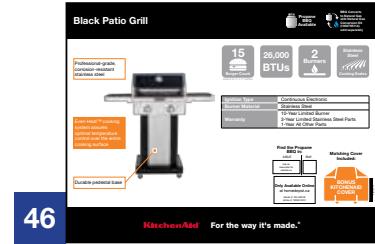
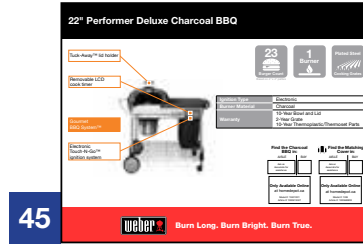
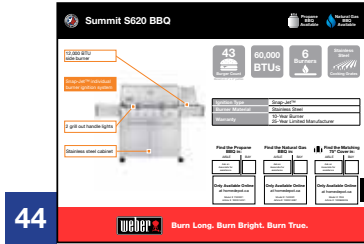
EFFECTIVE:

Jan 12, 2015

PAGE:

7 of 7

See below for additional POP that will be provided. Some POP will be used for new articles as old articles sell through. Some may be items that not all stores carry. Please store the additional POP for later use as needed.



Laydown Signage Requirements

Item #	Part #	Description	Quantity	HD Article #	Hardware Requirements	How to Order
44	D28118C-13	Weber Summit S620 BBQ	1		-	ePOP
45	D28118C-14	Weber 22" Performer Deluxe Charcoal BBQ	1		-	ePOP
46	D28118C-19	Kitchen Aid Black Patio Grill	1		-	ePOP